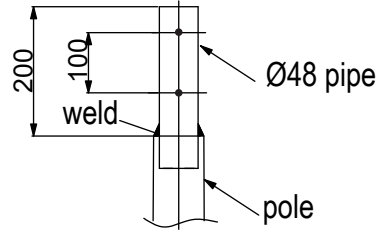
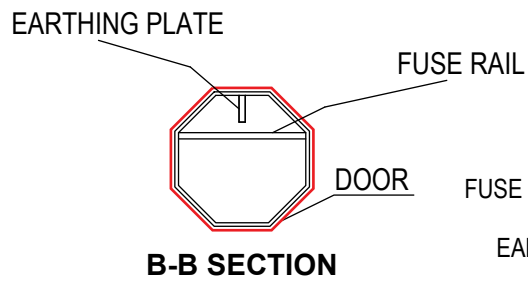


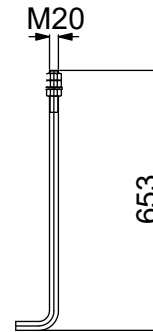
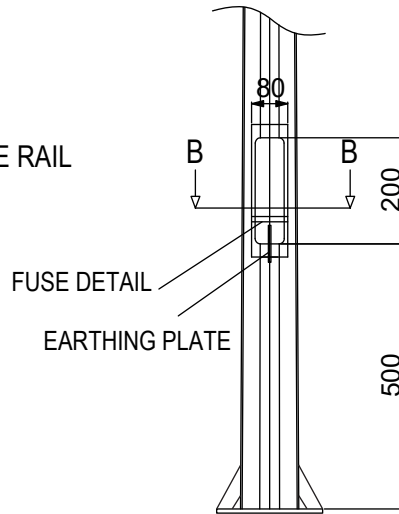
A-A SECTION



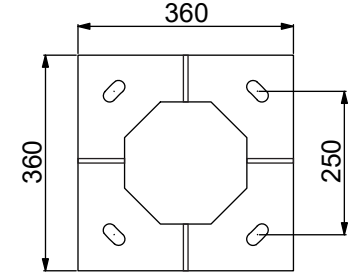
C-C SECTION



B-B SECTION



4 x M20 x 720 Anchor Bolts



BASE PLATE  
# 16mm x 360 x 360

<b>All Dimensions are in mm</b>		
St 37 - S235JR - EN 10025	<input checked="" type="checkbox"/>	St 52 - S355JR Steel
AISI 304 Stainless Steel	<input type="checkbox"/>	AISI 316 / Stainless Steel
<b>Surface Coating</b>		
Hot Dip Galv. EN ISO 1461	<input checked="" type="checkbox"/>	Powder Coat
Hot Dip Galvanized Standard EN ISO 1461-TS914		
Standard Steel EN 10025		
Bolts Standard: ISO 898.1/5.8		

<p>професионално <b>CETUS LED</b> осветлување</p>	<p>Wind static : 110km/h</p>
	<p>Note :</p>