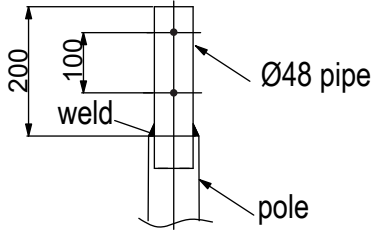
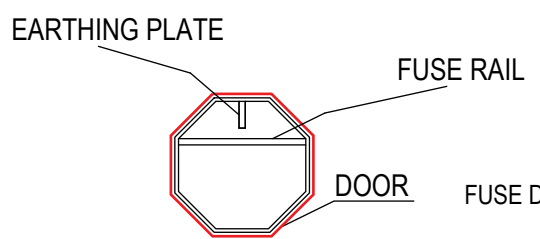


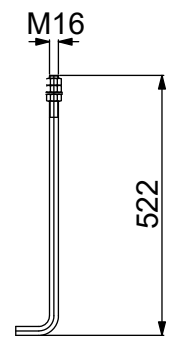
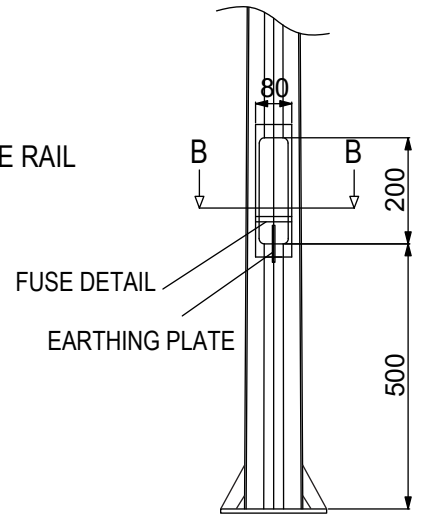
A-A SECTION



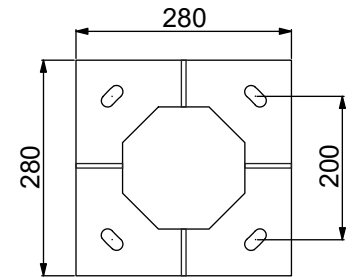
C-C SECTION



B-B SECTION



4 x M16 x 576 Anchor Bolts



BASE PLATE
14mm x 280 x 280

All Dimensions are in mm		
St 37 - S235JR - EN 10025	<input checked="" type="checkbox"/>	St 52 - S355JR Steel <input type="checkbox"/>
AISI 304 Stainless Steel	<input type="checkbox"/>	AISI 316 / Stainless Steel <input type="checkbox"/>
Surface Coating		
Hot Dip Galv. EN ISO 1461	<input checked="" type="checkbox"/>	Powder Coat <input type="checkbox"/>
Hot Dip Galvanized Standard EN ISO 1461-TS914		
Standard Steel EN 10025		
Bolts Standard: ISO 898.1/5.8		
професионално CETUS LED осветлување	Wind static : 110km/h	
	Note :	