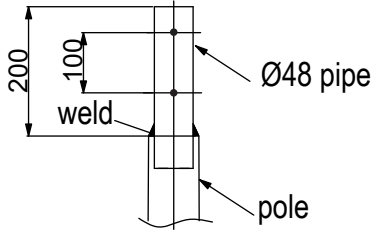
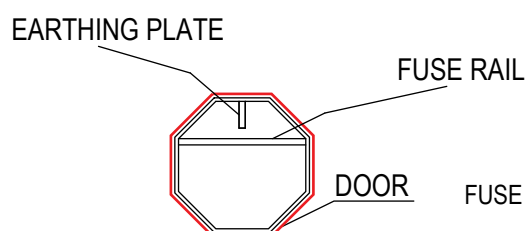


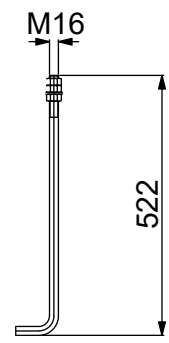
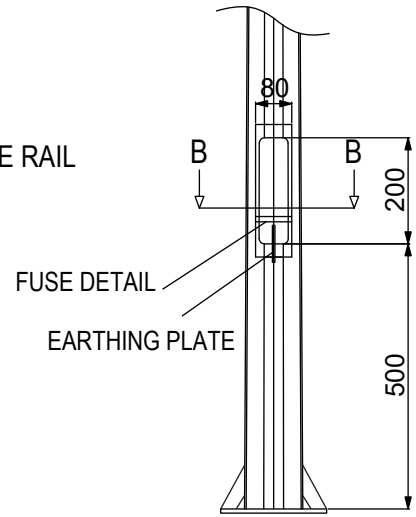
**A-A SECTION**



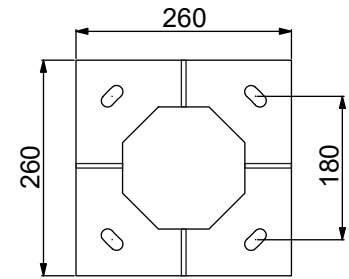
**C-C SECTION**



**B-B SECTION**



4 x M16 x 576 Anchor Bolts



**BASE PLATE**  
# 12mm x 260 x 260

<b>All Dimensions are in mm</b>	
St 37 - S235JR - EN 10025 <input checked="" type="checkbox"/>	St 52 - S355JR Steel <input type="checkbox"/>
AISI 304 Stainless Steel <input type="checkbox"/>	AISI 316 / Stainless Steel <input type="checkbox"/>
<b>Surface Coating</b>	
Hot Dip Galv. EN ISO 1461 <input checked="" type="checkbox"/>	Powder Coat <input type="checkbox"/>
Hot Dip Galvanized Standard EN ISO 1461-TS914	
Standard Steel EN 10025	
Bolts Standard: ISO 898.1/5.8	
професионално <b>CETUS LED</b> осветлување	Wind static : 110km/h
	Note :