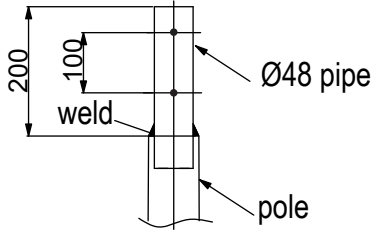
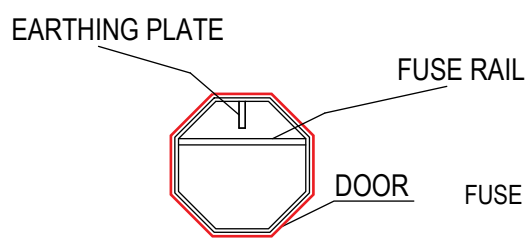


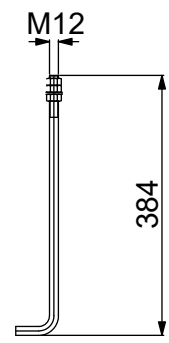
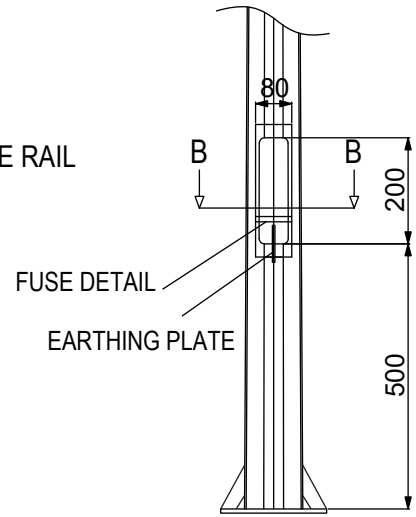
A-A SECTION



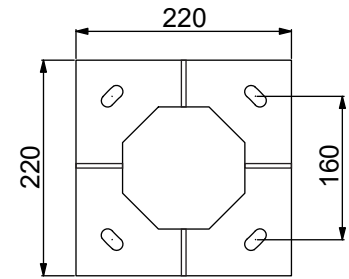
C-C SECTION



B-B SECTION



4 x M12 x 432 Anchor Bolts



BASE PLATE
12mm x 220 x 220

| | |
|---|---|
| All Dimensions are in mm | |
| St 37 - S235JR - EN 10025 <input checked="" type="checkbox"/> | St 52 - S355JR Steel <input type="checkbox"/> |
| AISI 304 Stainless Steel <input type="checkbox"/> | AISI 316 / Stainless Steel <input type="checkbox"/> |
| Surface Coating | |
| Hot Dip Galv. EN ISO 1461 <input checked="" type="checkbox"/> | Powder Coat <input type="checkbox"/> |
| Hot Dip Galvanized Standard EN ISO 1461-TS914 Standard Steel EN 10025 Bolts Standard: ISO 898.1/5.8 | |
| професионално CETUS LED осветлување | Wind static : 110km/h |
| | Note : |